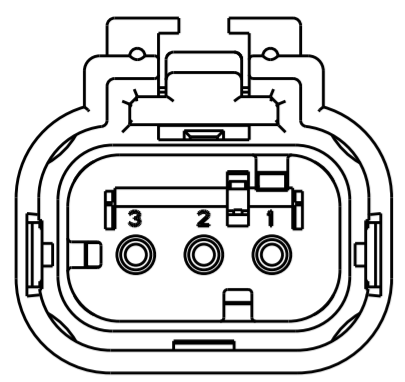
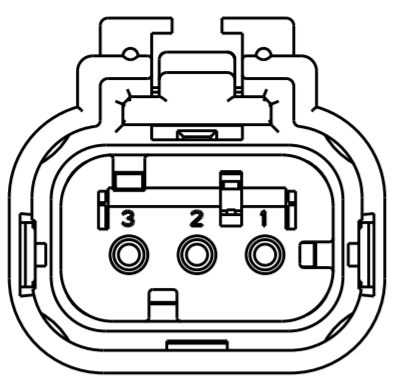


THIS DRAWING IS UNPUBLISHED. RELEASED FOR PUBLICATION 20
 © COPYRIGHT 20 BY - ALL RIGHTS RESERVED.

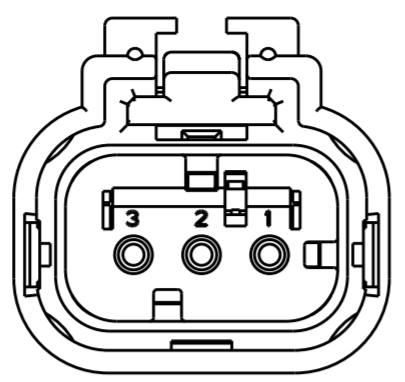
REVISIONS				
P	LTR	DESCRIPTION	DATE	APVD
F		REVISED PER ECO-13-019095	05DEC2013	DR RB



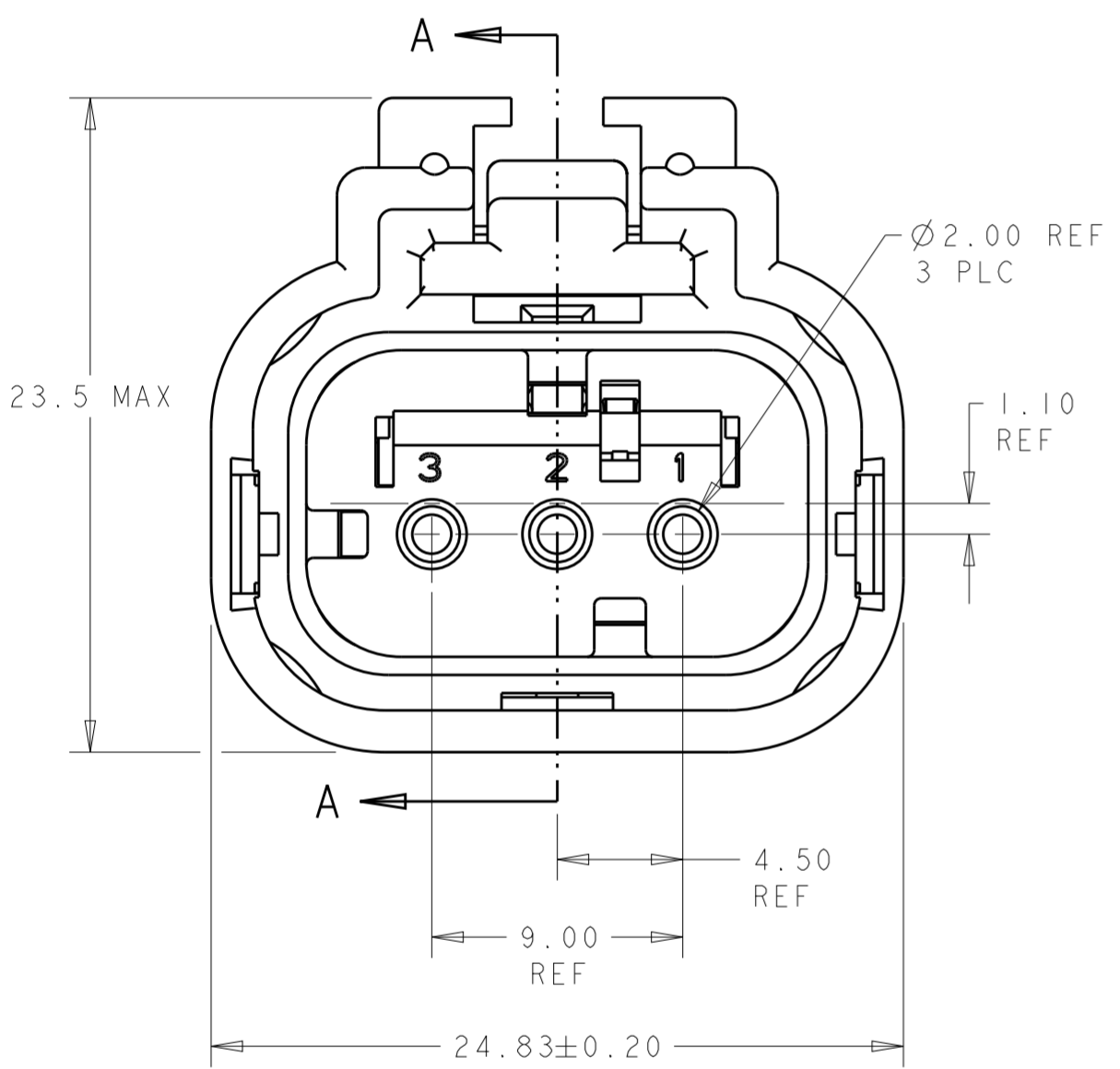
776429-2
SCALE 2:1
KEY B



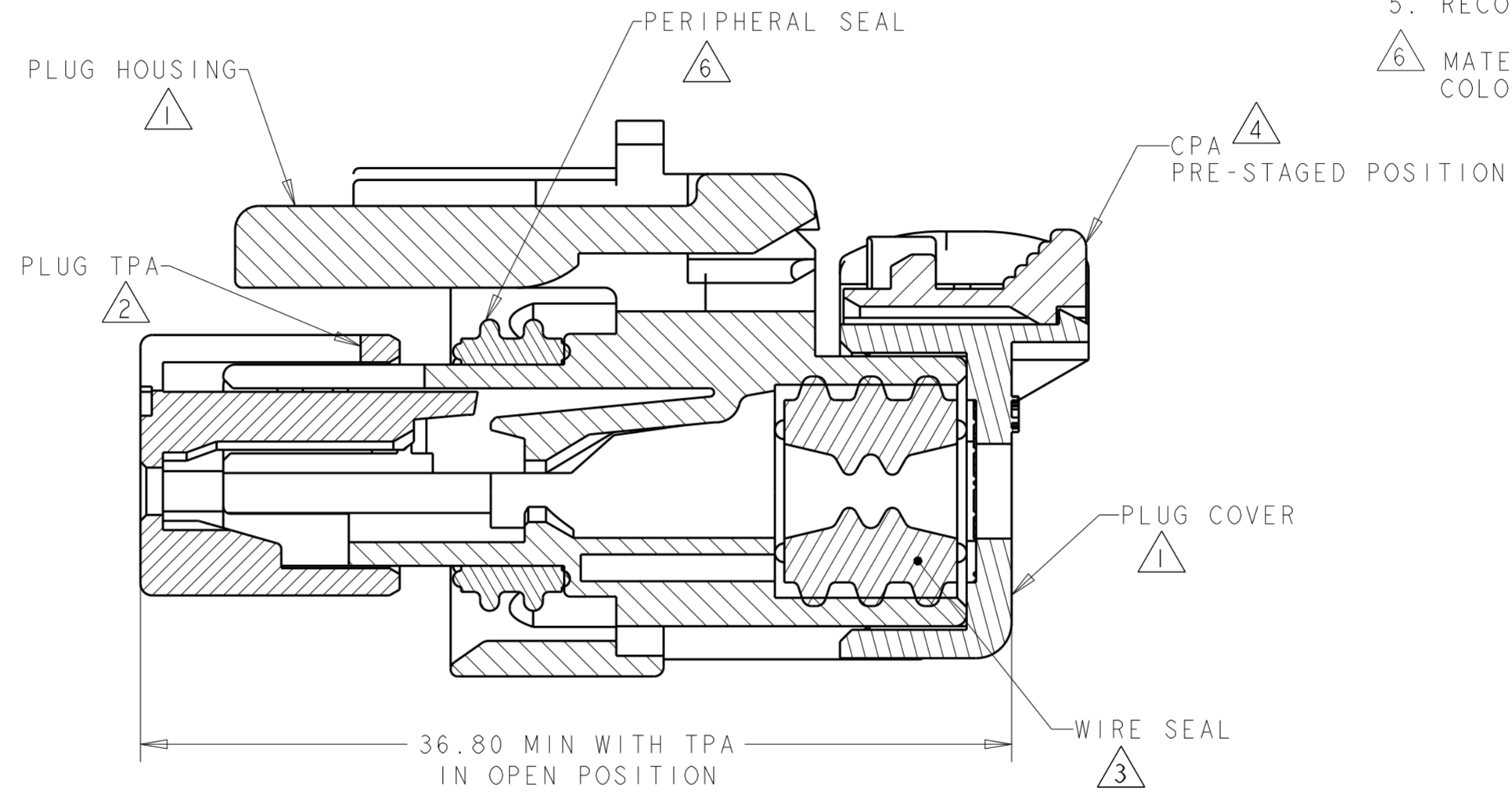
776429-3
SCALE 2:1
KEY C



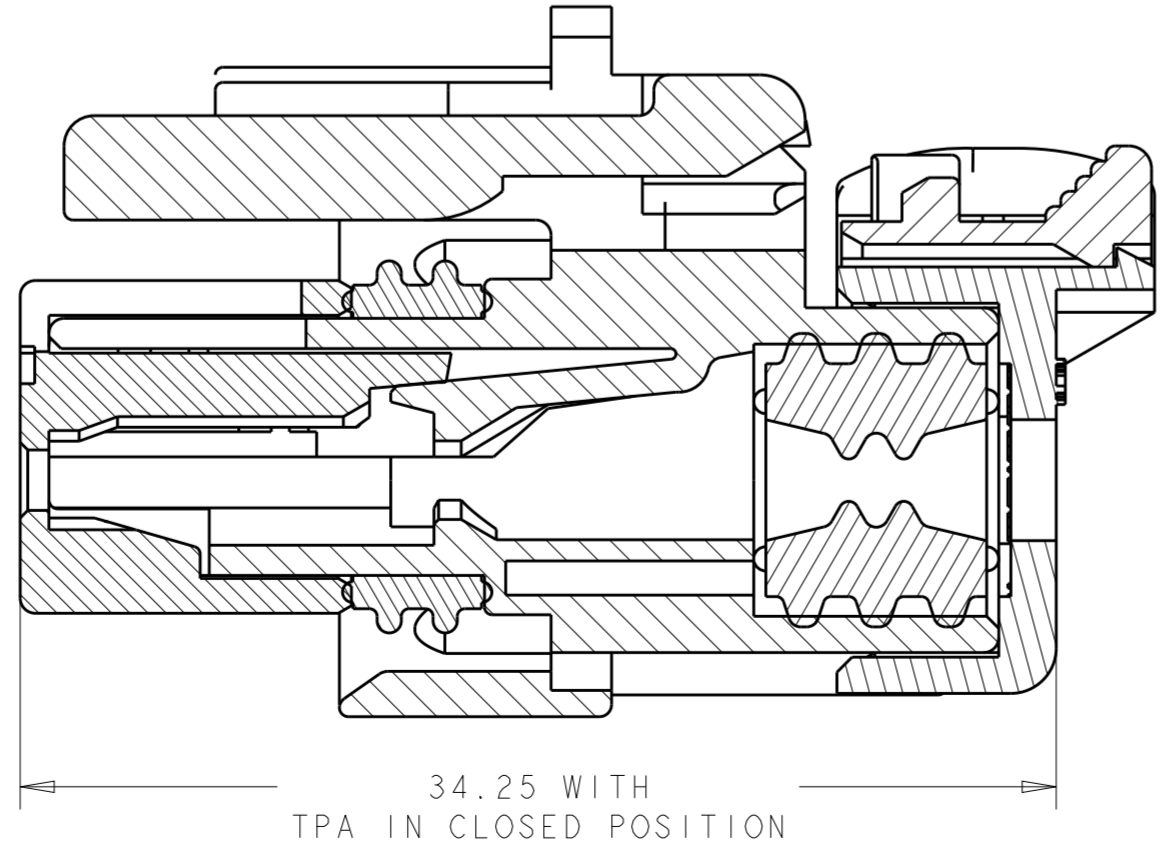
776429-4
SCALE 2:1
KEY D



776429-1 SHOWN
KEY A

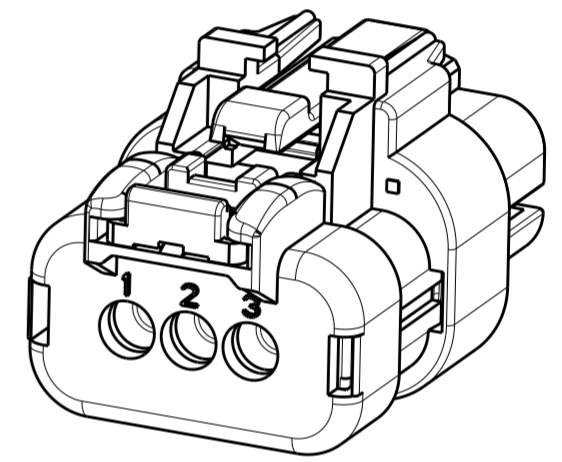


SECTION A-A

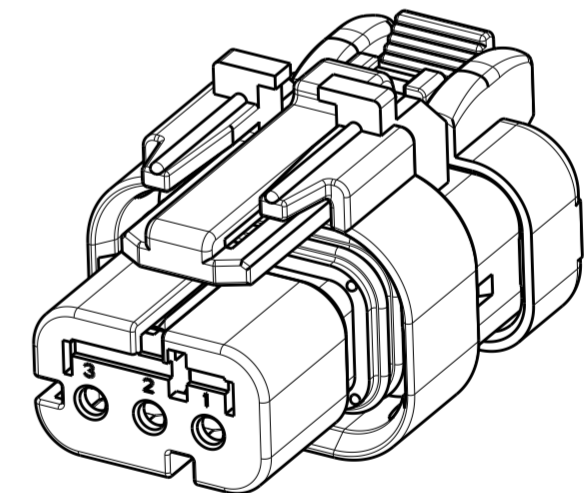


SECTION A-A

- 1 MATERIAL: 15% GLASS FILLED THERMOPLASTIC
COLOR: BLACK
- 2 MATERIAL: 15% GLASS FILLED THERMOPLASTIC
COLOR: (SEE TABLE)
- 3 MATERIAL: SILICONE
COLOR: GREEN
- 4 MATERIAL: 15% GLASS FILLED THERMOPLASTIC
COLOR: RED
- 5. RECOMMENDED WIRE DIAMETER RANGE IS 2.18 TO 3.67mm.
- 6 MATERIAL: SILICONE
COLOR: TAN



SCALE 2:1



SCALE 2:1

D	GREEN	776429-4
C	YELLOW	776429-3
B	GRAY	776429-2
A	RED	776429-1
KEY	TPA COLOR	PART NUMBER

THIS DRAWING IS A CONTROLLED DOCUMENT.		DWN AJ GRAFF 22FEB00	TE Connectivity	
DIMENSIONS: mm		CHK R GREINER 11DEC01		
TOLERANCES UNLESS OTHERWISE SPECIFIED:		APVD M TRULLI 11DEC01	NAME PLUG ASSEMBLY, 3 POSITION, SINGLE ROW AMPSEAL 16	
0 PLC ±		PRODUCT SPEC 108-2184	SIZE CAGE CODE DRAWING NO RESTRICTED TO	
1 PLC ±		APPLICATION SPEC 114-13065	A200779C-776429	
2 PLC ±		WEIGHT 10	SCALE 4:1 SHEET OF REV F	
3 PLC ±		Customer Drawing		
4 PLC ±				
ANGLES ±				
FINISH -				
-				